

**LAVASTOVIGLIE A CAPPOTTINA  
HOOD TYPE DISHWASHER****WT55**

Code	Type	Ref.	Pagina/ Page
<b>PRESSIONE</b>			
505038	WT55P	a	2 3 5 6
505039	WT55P6	b	2 3 5 6
505044	WT55PM50	e	2 3 5 6
505045	WT55PM60	f	2 3 5 6

**ATMOSFERICA**

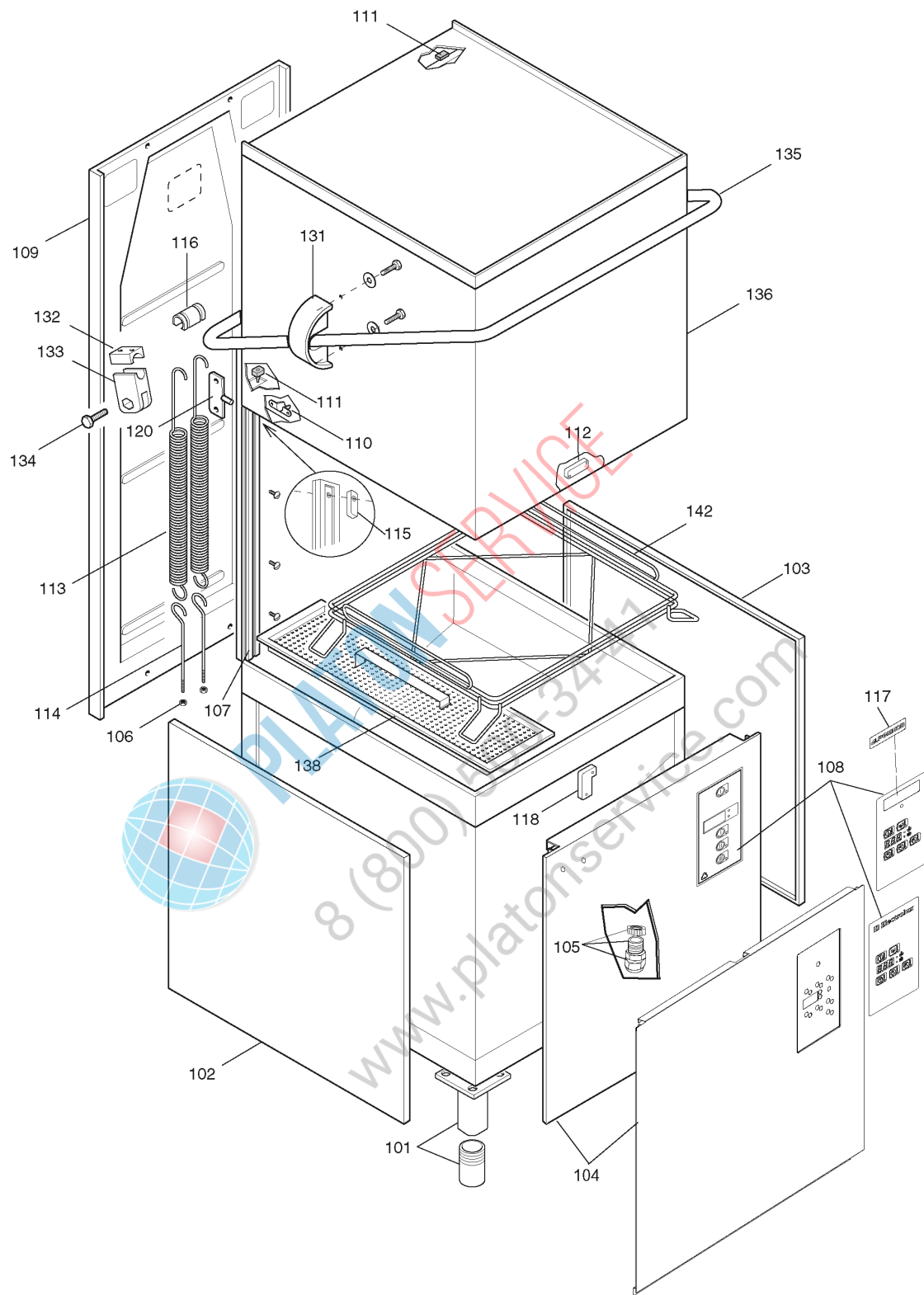
505040	WT55AG	c	2 3 4 6
505042	WT55AG1	d	2 3 4 6
698028	HT900ADG1	g	2 3 4 6

**Pagina/ Page**2  
3  
4  
5  
6  
7 - 12**Indice/ index**Vista generale / Main view  
Componenti idraulici / Hydraulic components  
Circuito idraulico atmosferico / Atmospheric plumbing circuit  
Circuito idraulico a pressione / Pressurized plumbing circuit  
Componenti elettrici / Electrical components  
Lista ricambi / Spare parts list**Marchio/ Brand: E****Paese/ Country: Tutti/ All**

Da Ser.Nr./From Ser.nr.: /0242....

Page: 1 Ed.2008-05

**Doc. Nr.: 6-31 802**



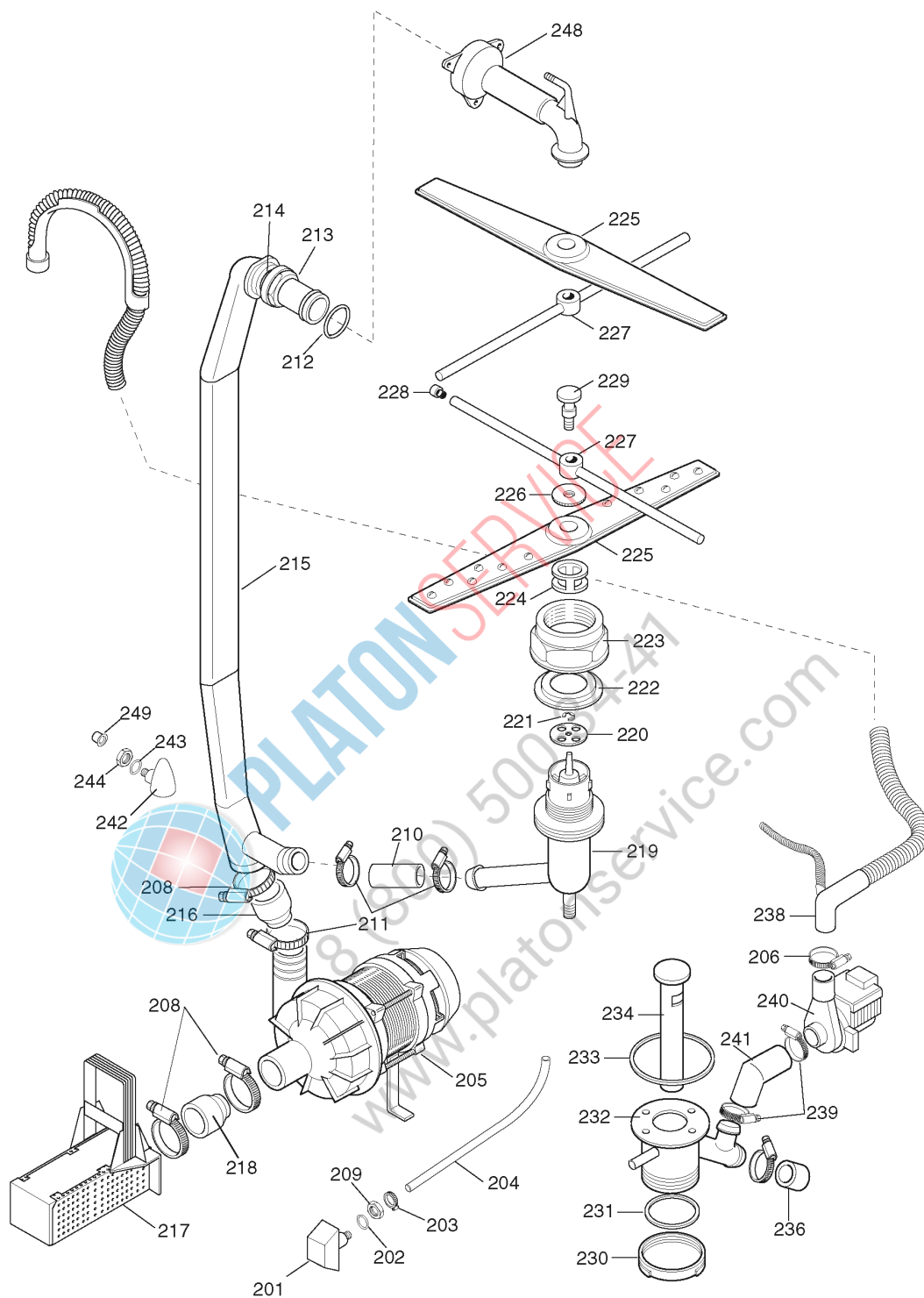
**ill. 631802p2**  
**Vista generale / Main view**

Da Ser.Nr./From Ser.nr.: /0242....

Page: 2 Ed.2008-02

**Doc. Nr.: 6-31 802**

??????	505038									
??????	6-31802		???????? 2				Main view			
.		Alias		S			.		(Euro)	
0101	048579			S				COMPLETE FOOT; H=153MM	From S.N 713	16,66
0101	0L0016							FOOT; CPL	Up to S.N 712	23,45
0102	0L0062							RIGHT SIDE PANEL		107,60
0103	0L0063							LEFT SIDE PANEL		107,60
0104	0L0089							FRONT PANEL	Up to ser nr:813	129,90
0104	0L1700							FRONT PANEL; ASSY; LS9	From ser nr:814	100,50
0105	048932							FIXING CABLE		6,76
0106	049761			S				BUSH		1,91
0107	0L0084			S				RUNNER		16,77
0108	0L0088							MEMBRANE	a,b,e,f - Up to ser nr:813	127,00
0108	0L1674							ADHESIVE MEMBRANE; WT55	a,b,e,f - From ser nr:814	145,10
0109	0L0066							REAR PANEL	From ser nr:306	76,33
0109	0L0066							REAR PANEL	a,b,e,f - From ser nr:306	76,33
0110	049527			S				DRIP SLIDE		3,50
0111	0L0090			S	A			ABSORBER		3,97
0112	049627			S				MAGNET		9,82
0113	0L0057			S				SPRING		32,38
0114	049583			S				SPRING STRETCHER		10,18
0115	0L0099			S				SLIDING SHOE		2,65
0116	049594			S				SPRING SUPPORT		2,46
0118	0L1871			S	A	Kit		REED SWITCH; KIT		20,40
0120	0L0059							BRACKET WITH BOLT		14,33
0131	0L0058			S				RUNNER		7,85
0132	0L0055			S				SUPPORT; UPPER		6,68
0133	0L0056			S				SUPPORT; LOWER		6,68
0134	0L0091							SCREW		4,67
0135	0L0054							HANDLE		116,70
0136	0L0053			S				COVERING; LS9		441,50
0138	0L0069			S				FILTER		67,60
0142	049629			S				RUNNER FOR BASKET		106,60



**ill. 631802p3**  
**Componenti idraulici / Hydraulic components**

Da Ser.Nr./From Ser.nr.: /0242....

Page: 3 Ed.2002-10

**Doc. Nr.: 6-31 802**

??????	505038								
??????	6-31802		???????? 3				Hydraulic components		
.		Alias		S			.		(Euro)
0201	048308			S		+		AIR TRAP; FOR PRESSURE GAUGE	4,44
0202	068642			S		+		O-RING; ØI=15,54X2,62	1,02
0203	046946			S		+		CLAMP; 8-12/7,5	2,22
0204	048883							RUBBER HOSE; 5X12; 1PZ=2300MM	12,31
0205	0L0060		0L0564					WASH PUMP; 230/400V 3P 50HZ	a,c,e - 50 Hz - Up to ser nr:429
0205	0L0092			S		A		WASH PUMP; ZF522VSX; 230V 1P 50HZ	a,d,e,g - 50 Hz
0205	0L0564			S		A		PUMP; ZF523V SX; 230/400V 3PH; 50HZ	a,c,e - 50 Hz - From S.N 430 - Up to S.N 709
0206	047578			S		+		CLAMP; 26-38	1,80
0208	046853			S		+		HOSE CLAMP; 60-80/9	2,53
0209	049268			S		+		HEX NUT; M14X1,5	1,80
0210	0L0558		0L0612					TUBE; D.42*51 L . 0,105 MT	Up to ser nr:443
0210	0L0612			S				SLEEVE	From ser nr:444
0211	046855			S		+		HOSE CLAMP; 50-70/9	Up to ser nr:313
0211	0L0193			S				CLMAP; 40-60/9	From ser nr:314
0212	0L0185		068799					OR; 164 3,53X60,33	
0213	049596						CGX200 5-18	RING NUT	Up to ser nr:425
0213	0L0557			S				RING NUT; Ø MAX=96MM; H=25MM	From ser nr:426
0214	049593			S				O-RING; ØI=72,39X5,34 MM	1,91
0215	049595		0L0556			D	CGX200 5-18	PIPE	Up to ser nr:425
0215	0L0556			S				PIPE; FOR WASHING ARMS SUPPORTS	From ser nr:426
0216	0L0068			S				JUNCTION	16,05
0217	049810			S				FILTER FOR PUMP	33,09
0218	0L0067			S				JUNCTION	14,15
0219	048235			S				SUPPORT F. LOWER JETS	40,90
0220	048820			S		+		SHUTTER	4,65
0221	048979			S		+		SNAP RING	1,42
0222	048236			S		+		GASKET	3,69
0223	048237			S				RING NUT; LOWER JETS SUPPORT	5,29
0224	048401			S			06001	HUB; FOR WASH ARM	21,32
0225	0L0598					A	CGX200 4-10	WASHING ARM ASSEMBLY	50,95
0226	048632			S				LOCK WASHER	9,50
0227	048716		0L2095					RINSE JET	
0228	048714						CGX200 2-09	PLUG; FOR RINSE ARM	1,02
0229	048290			S				PIN; L=43MM; FOR RINSE ARMS	16,79
0230	048231			S				PLUG; FOR DRAIN SUPPORT	5,29
0231	048230			S		+		GASKET	5,89

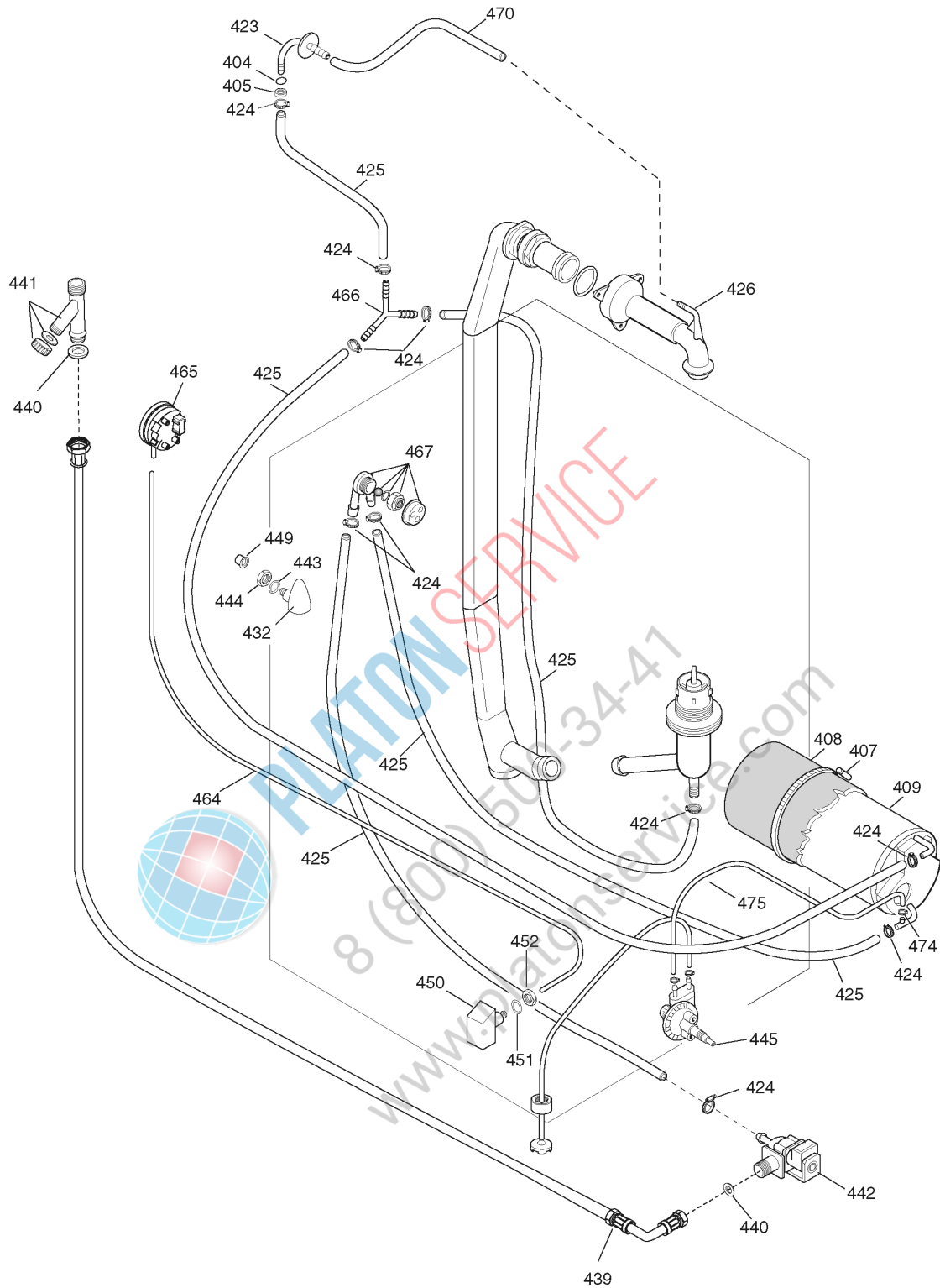
??????	505038								
??????	6-31802		???????? 3				Hydraulic components		
.		Alias		S			.		(Euro)
0232	0L0081			S				DRAIN MANIFOLD	10,18
0233	048229			S				GASKET; ØI=46,04X3,53 MM	1,02
0234	048250			S				OWERFLOW PIPE	a,b,e,f 12,51
0242	048853			S		+		AIR CHAMBER	4,01
0243	068642			S		+		O-RING; ØI=15,54X2,62	1,02
0244	049268			S		+		HEX NUT; M14X1,5	1,80
0248	0L0051			S				SUPPORT; UPPER JET	28,72
0249	049849			S				STOPPER	1,02



PLATON SERVICE

8 (800) 500-34-41

www.platonservice.com



**iii. 631802p5**  
**Circuito idraulico a pressione / Pressurized plumbing circuit**

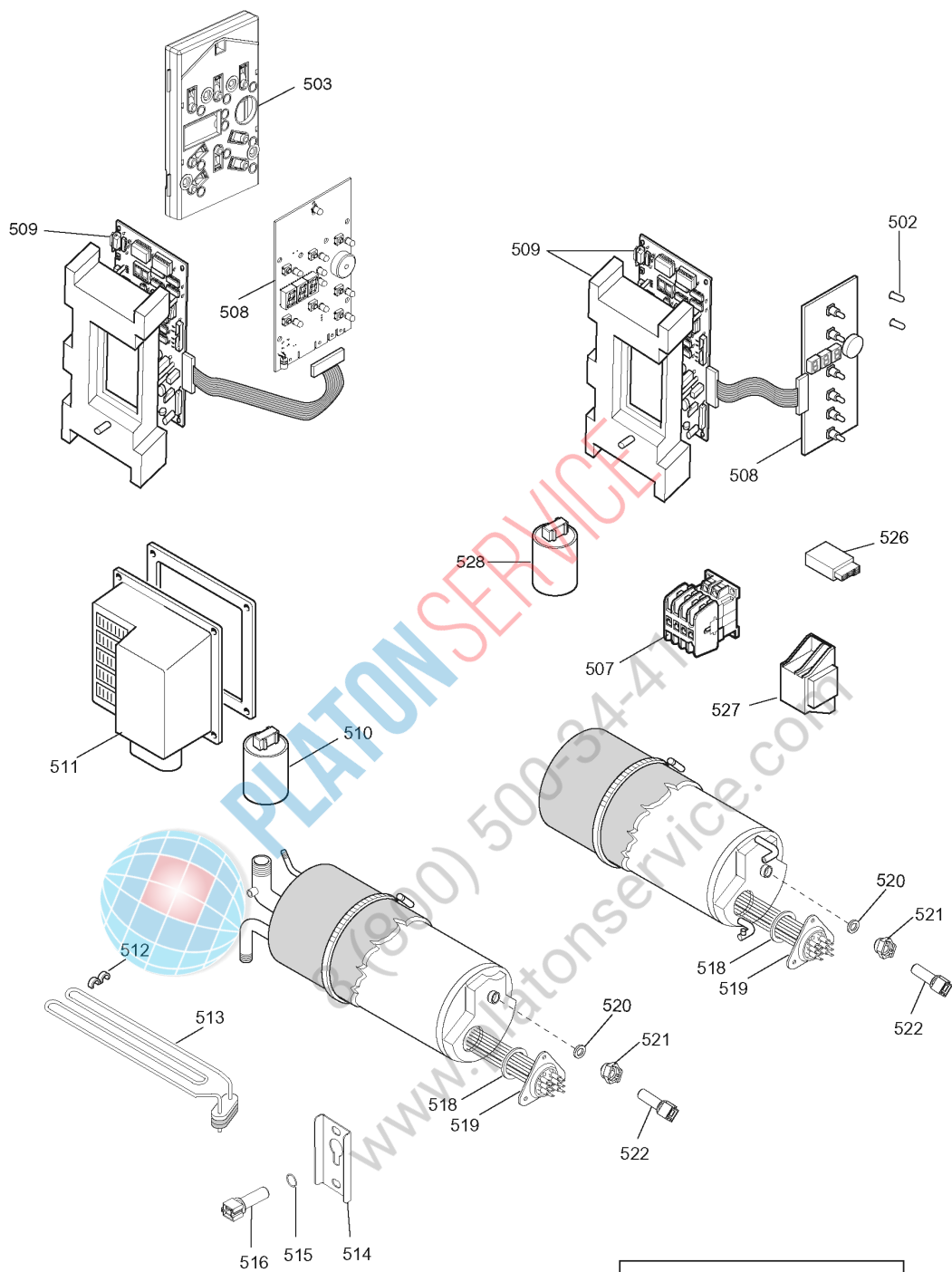
Da Ser.Nr./From Ser.nr.: /0242....

Page: 5 Ed.2004-06

**Doc. Nr.: 6-31 802**

???????		505038									
???????		6-31802		????????? 5		Pressurized plumbing circuit					
.		Alias		S		.				(Euro)	
0404	046799			S	+			O-RING; FOR OVERFLOW PIPE		1,02	
0405	049436			S				NUT; M20X1,5		3,87	
0407	048222			S	+			HOSE STRAP		7,60	
0408	048447			S	+			BOILER INSULATION; 670X330X13MM		16,57	
0409	0L0023					D	CGX200 3-06	BOILER	Up to ser nr:317		
0409	0L0284			S	A			BOILER; AISI 304	From ser nr:318	195,90	
0423	0L0052							CONNECTION		24,26	
0424	048126			S	+			CLIP; 13-20		1,58	
0425	048531			S	+			RUBBER HOSE; ØI=12MM;ØE=19,5MM;BY METER		9,55	
0426	0L0051			S				SUPPORT; UPPER JET		28,72	
0432	048853			S	+			AIR CHAMBER		4,01	
0439	048816		0L1887					HOSE			
0440	046925		049201				CGX200 2-08	GASKET; ØI=13MM; ØE=24MM; H=3MM			
0441	048746			S				WATER FILTER; 3/4" M-F	Up to ser nr:429	15,17	
0441	048834			S				STRAINER	From ser nr:430	13,63	
0442	048817		0L3440					SOLENOID VALVE; 220-240V 50HZ; 319P5	Up to ser nr:429		
0442	0L0566		0L3445		A			SOLENOID VALVE; TYPE 329P5; 20 L/MIN	From ser nr:430		
0443	068642			S	+			O-RING; ØI=15,54X2,62		1,02	
0444	049268			S	+			HEX NUT; M14X1,5		1,80	
0445	0L0094		0L4295					RINSE AID DISPENSER			
0449	049849			S				STOPPER		1,02	
0450	048308			S	+			AIR TRAP; FOR PRESSURE GAUGE		4,44	
0451	068642			S	+			O-RING; ØI=15,54X2,62		1,02	
0452	049268			S	+			HEX NUT; M14X1,5		1,80	
0464	048883							RUBBER HOSE; 5X12; 1PZ=2300MM		12,31	
0465	049620			S				PRESSURE SWITCH; CALIB.= 250/130-390		20,00	
0466	048195			S				3-WAY FITTING; 2XØ=12MM E 1XØ=8,6MM		6,58	
0467	049332		0L1892					VALVOLA NON RITORNO; DVGW			
0470	049379		0L3641					HOSE; WRC, 1PC=1130MM		22,23	
0474	046946			S	+			CLAMP; 8-12/7,5		2,22	
0475	048883							RUBBER HOSE; 5X12; 1PZ=2300MM		12,31	





\* Cablaggio/Wiring hardness: 590

**iii. 631802p6**  
**Componenti elettrici / Electrical components**

Da Ser.Nr./From Ser.nr.: /0242.... Page: 6      Ed.2008-02	<b>Doc. Nr.: 6-31 802</b>
---	---------------------------

??????	505038									
??????	6-31802		???????? 6				Electrical components			
.		Alias		S			.			(Euro)
0502	002670			S		+		EXTENSION; L=6,95MM	Up to ser nr:813	1,02
0503	0L1568		0L3876		D	+		USER COVERING; LS14	From ser nr:814	
0507	048825		0L0285		D			CONTACTOR; K2-09A01-230	a,d,e,g - Up to ser nr:317	
0507	0L0285			S	A			CONTACTOR; 220-240V 50HZ/240-264V 60HZ	a,d,e,g - From ser nr:318	28,84
0508	0L0061		0L1235		D			PCB	Up to ser nr:421	
0508	0L0550		0L1235					USER INTERFACE BOARD	From ser nr:422	
0508	0L0710		0L1235					USER INTERFACE BOARD; LS 9	Up to ser nr:523 - From ser nr:524	
0508	0L1235			S	A			USER INTERFACE BOARD; LS9	From ser nr:623 up to 813	100,80
0508	0L1566		0L3876		D	+		USER INTERFACE BOARD; HT ACTIVE	Up to ser nr:813 - From ser nr:814	
0509	0L0045		0L2583				CGX200 3-15	PCB	Up to ser nr:421 - From ser nr:422	
0509	0L0541		0L2583		D	Kit		PCB; ASSY	Up to ser nr:523	
0509	0L0705		0L2583		D			PCB	From ser nr:524	
0509	0L1412		0L2583		D			PCB; DIWAP10	Up to Ser Nr 709 - From Ser Nr 710	
0509	0L1811		0L2583					MOTHERBOARD; DIWAP10	Up to ser nr:820 - From ser nr:821	
0510	049303			S		+		RADIO INTERFERENCE FILTER; 250V 50/60HZ		23,55
0511	049618		0L0111					TERMINAL BOARD	Up to ser nr:244	
0511	0L0111			S				JUNCTION BOX	From ser nr:245	40,30
0512	048429			S				BRACKET		2,01
0513	048491		0L1870					TANK HEATING ELEMENT; 3000W 230V	Up to ser nr:820	
0513	0L1870			S	A			HEATING ELEMENT; 230V-3000W	From ser nr:821	30,45
0514	049580							SUPPORT	Up to ser nr:327	14,65
0514	0L0366			S				SUPPORT	From ser nr:328	3,44
0515	046376		0Q0002		D			O-RING		
0516	049643			S		+		TEMPERATURE PROBE		9,76
0518	0E5037					+	CGX200 0-46	HEATING ELEMENT GASKET;DIA.56,52XSP.5,33		1,43
0519	049992		0L2653		A			HEATING ELEMENT; 230V 9000W	a,b,c,e - Up to ser nr:750	
0519	0L1630		0L2653		A			HEATING ELEMENT; 230V-9000W	a,b,c,e - From ser nr:751	
0520	046376		0Q0002		D			O-RING	a,b - From ser nr:318	
0520	067898			S		+		O-RING; ØI= MM.6,07X1,78	a,b - Up to ser nr:317	1,02
0521	067899			S		+		STUFFING BOX	a,b - Up to ser nr:317	4,75
0521	0L0280			S	A	+		STUFFING BOX	a,b - From ser nr:318	11,51
0522	049643			S		+		TEMPERATURE PROBE	a,b - From ser nr:318	9,76
0522	049884			S				TEMPERATURE PROBE	a,b - Up to ser nr:317	48,92
0528	049901			S				INDUCTIVE-CAPACITIVE FILTER:SINGLE PHASE	a,d,e,b,f,g - From S.N :710	16,36
0590	0L0466			S				WIRING HARNESS	Up to S.N 709	110,60
0590	0L1414							WIRING HARNESS	From S.N 710	163,40